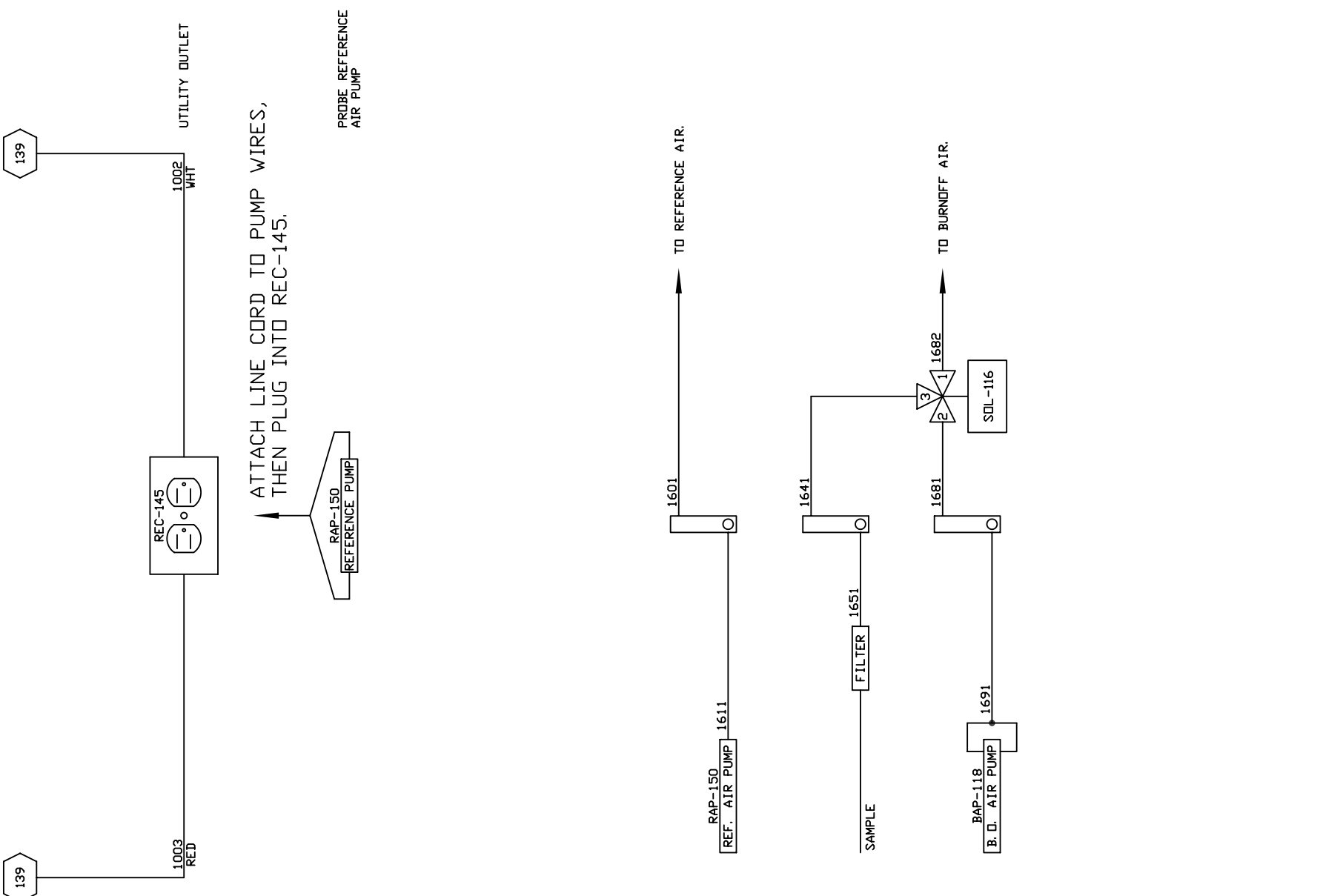


- 100 ISS-100 POWER OFF 1003 RED
- 101 1003 RED
- 102 1002 WHT
- 103 1002 WHT
- 104 1002 WHT
- 105 1002 WHT
- 106 1002 WHT
- 107 1002 WHT
- 108 1002 WHT
- 109 1002 WHT
- 110 1002 WHT
- 111 1002 WHT
- 112 1002 WHT
- 113 1002 WHT
- 114 1002 WHT
- 115 1002 WHT
- 116 1002 WHT
- 117 1002 WHT
- 118 1002 WHT
- 119 1002 WHT
- 120 1002 WHT
- 121 1002 WHT
- 122 1002 WHT
- 123 1002 WHT
- 124 1002 WHT
- 125 1002 WHT
- 126 1002 WHT
- 127 1002 WHT
- 128 1002 WHT
- 129 1003 RED
- 130 1003 RED
- 131 1003 RED
- 132 1003 RED
- 133 1002 WHT
- 134 1002 WHT
- 135 1002 WHT
- 136 1002 WHT
- 137 1002 WHT
- 138 1002 WHT
- 139 1002 WHT



- 140 1002 WHT
- 141 1002 WHT
- 142 1002 WHT
- 143 1002 WHT
- 144 1002 WHT
- 145 1002 WHT
- 146 1002 WHT
- 147 1002 WHT
- 148 1002 WHT
- 149 1002 WHT
- 150 1002 WHT
- 151 1002 WHT
- 152 1002 WHT
- 153 1002 WHT
- 154 1002 WHT
- 155 1002 WHT
- 156 1002 WHT
- 157 1002 WHT
- 158 1002 WHT
- 159 1002 WHT
- 160 1002 WHT
- 161 1002 WHT
- 162 1002 WHT
- 163 1002 WHT
- 164 1002 WHT
- 165 1002 WHT
- 166 1002 WHT
- 167 1002 WHT
- 168 1002 WHT
- 169 1002 WHT
- 170 1002 WHT
- 171 1002 WHT
- 172 1002 WHT
- 173 1002 WHT
- 174 1002 WHT
- 175 1002 WHT
- 176 1002 WHT
- 177 1002 WHT
- 178 1002 WHT
- 179 1002 WHT

NOTES:
 1. CONTROL RELAY(S) AND ALARM HORN, TYPICAL MOV TO BE 50 TO 60 LOULES.
 2. SENSOR WIRING IS TO BE TWISTED PAIR, AND SHOULD NEVER RUN PARALLEL OR BE BUNDLED WITH THE POWER WIRING.
 3. SOLENOID FUSES ARE TO BE 3A.
 4. SYSTEM INSTALLER TO CONNECT THERMOCOUPLE WIRE DIRECTLY TO INSTRUMENT TERMINALS.

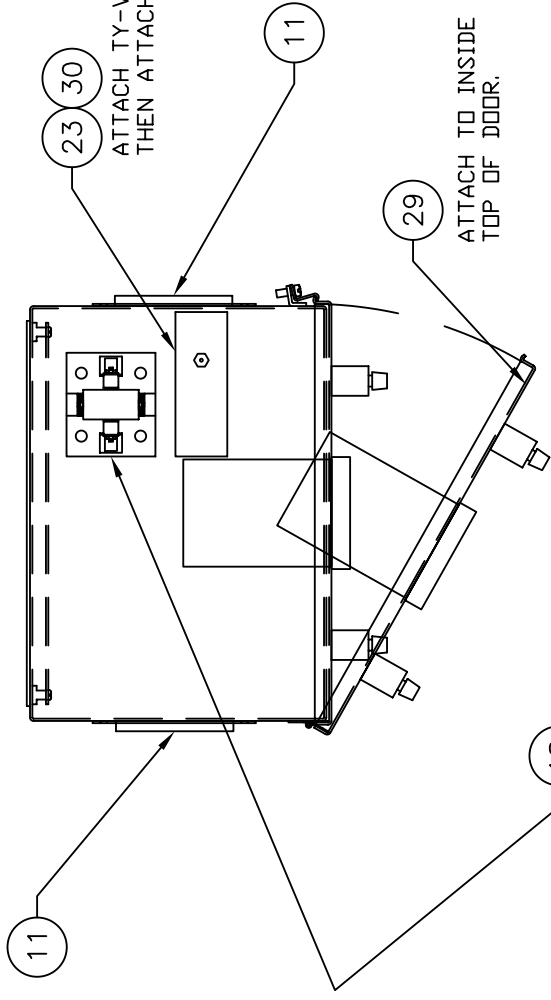
PRODUCTION DRAWING(S)
 USE THIS DRAWING FOR CONSTRUCTION.

N	ECD - 00197	GDG	09-06-2005	RR
REV.	DESCRIPTION	DRAWN	DATE	APPROVED
MOD 1500, AC20 CONTROL / BURNOFF, GENERATOR WITH BAZOOKA BASIC WIRING / PLUMBING DIAGRAM				
APPROVALS	DATE	DWG. NO.	REV.	N
DRAWN	THL	06-10-1998	STANDARD SYSTEMS\13051\	
CHECKED			SCALE	1:1 SHEET 1 OF 3
ISSUED				

UNLESS OTHERWISE SPECIFIED DIMENSIONS ARE IN INCHES FRACTIONS DECIMALS ANGLES ±1/64" X.XX=±0.100 X.XXX=±0.001



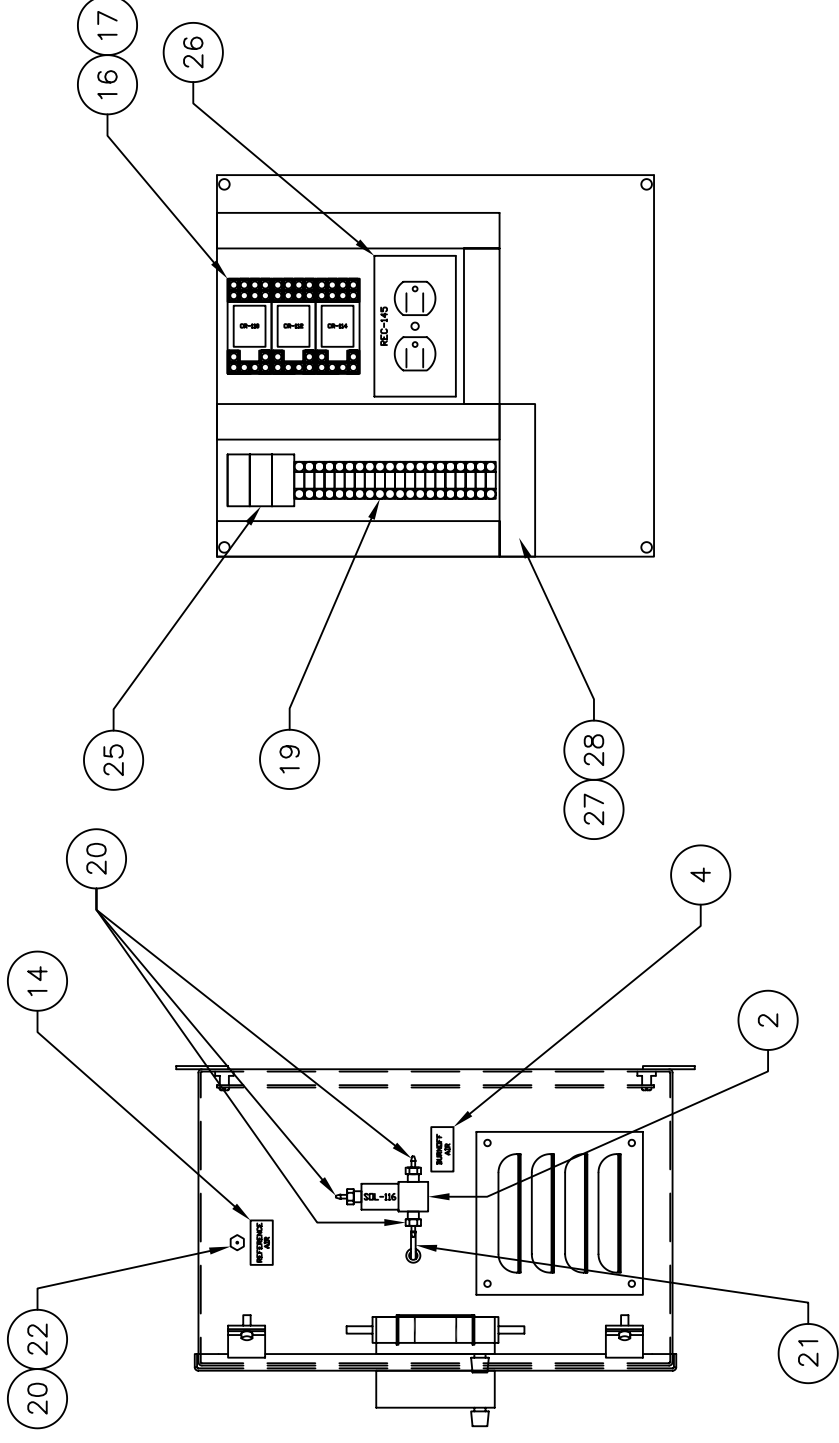
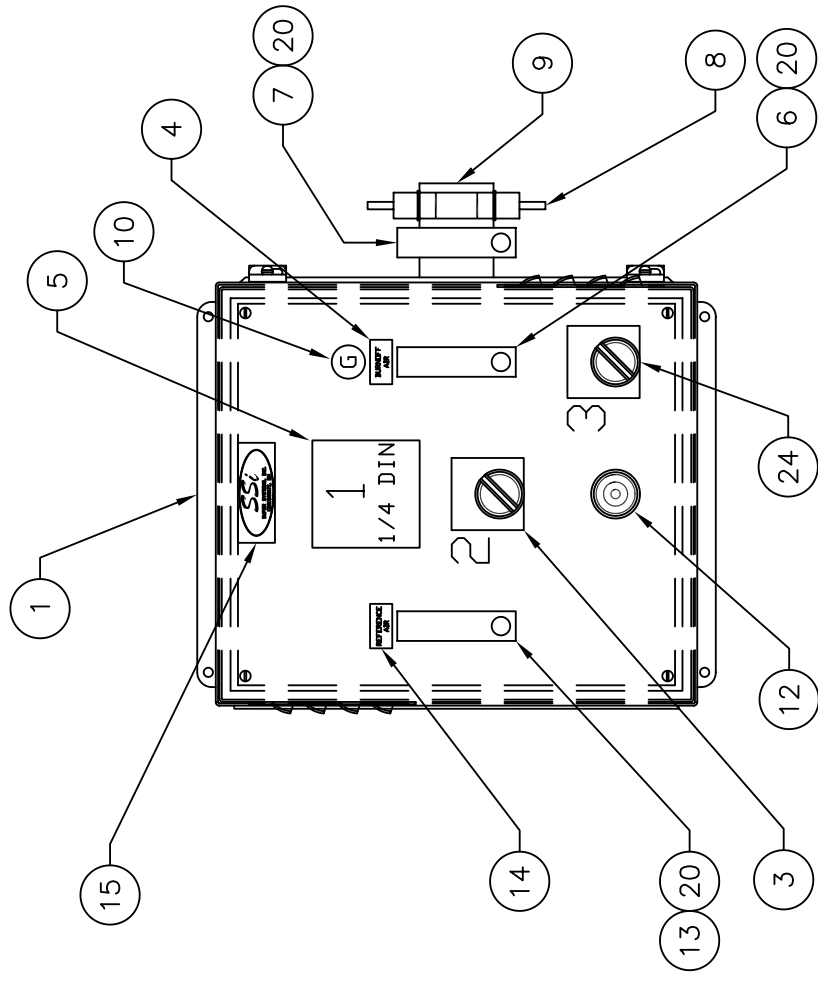
CINCINNATI, OHIO



ATTACH TY-WRAP BASES TO ENCLOSURE BOTTOM WITH SCREWS,
THEN ATTACH PUMP TO BASES WITH TY-WRAPPS.

ATTACH TO INSIDE
TOP OF DOOR.

ATTACH PUMP TO ENCLOSURE BOTTOM
WITH SCREWS AND STOP NUTS.



TAG LIST	
TAG#	TAG DESCRIPTION
1	ATMOSPHERE CONTROLLER
2	PROCESS ALARM, SILENCE ON
3	POWER, OFF ON

PRODUCTION DRAWING(S)
USE THIS DRAWING FOR CONSTRUCTION.

REV.	DESCRIPTION	GDG	DATE	RR
N	00197	09-06-2005		

MDD1500, AC20 CONTROL WITH BURNOFF, GENERATOR
BASIC MECHANICAL DIAGRAM

APPROVALS	DATE	DWG. NO.	REV.
	11-16-1998	13051	N

CHECKED	ISSUED	SCALE	SHEET
		1:3	2 OF 3

UNLESS OTHERWISE SPECIFIED
DIMENSIONS ARE IN INCHES
TOLERANCES ARE:
FRACTIONS DECIMALS ANGLES
X .X=±0.100 ±0.5°
X .XX=±0.010
X .XXX=±0.001

SSi
CINCINNATI, OHIO