

OR
 DENOTES TERMINAL BLOCK

INTENTIONALLY
BLANK

NOTES:

IGNITE MODE - IGNITION TRANSFORMER WILL LIGHT SPARK IGNITER FOR 10 SECONDS. IF PILOT LIGHTS THE GREEN PILOT LIGHT ON LIGHT WILL ILLUMINATE. IF PILOT DOES NOT LIGHT THE RED PILOT ALARM LIGHT WILL ILLUMINATE.

AUTOMATIC MODE - THE SYSTEM WILL ATTEMPT TO LIGHT THE PILOT 5 TIMES. THE IGNITER WILL SPARK FOR 10 SECONDS THEN STOP FOR 10 SECONDS, THEN SPARK AGAIN FOR 10 SECONDS. IT WILL CONTINUE TO CYCLE FOR 5 COMPLETE CYCLES. IF THE BURNER HAS NOT SHOWN A PILOT AFTER THE 5TH ATTEMPT THE RED PILOT ALARM LIGHT WILL ILLUMINATE. TO RESET THE SEQUENCE PLACE THE SELECTOR SWITCH IN THE OFF POSITION THEN BACK TO THE AUTOMATIC POSITION.

PRODUCTION DRAWING(S)
 USE THIS DRAWING FOR CONSTRUCTION.

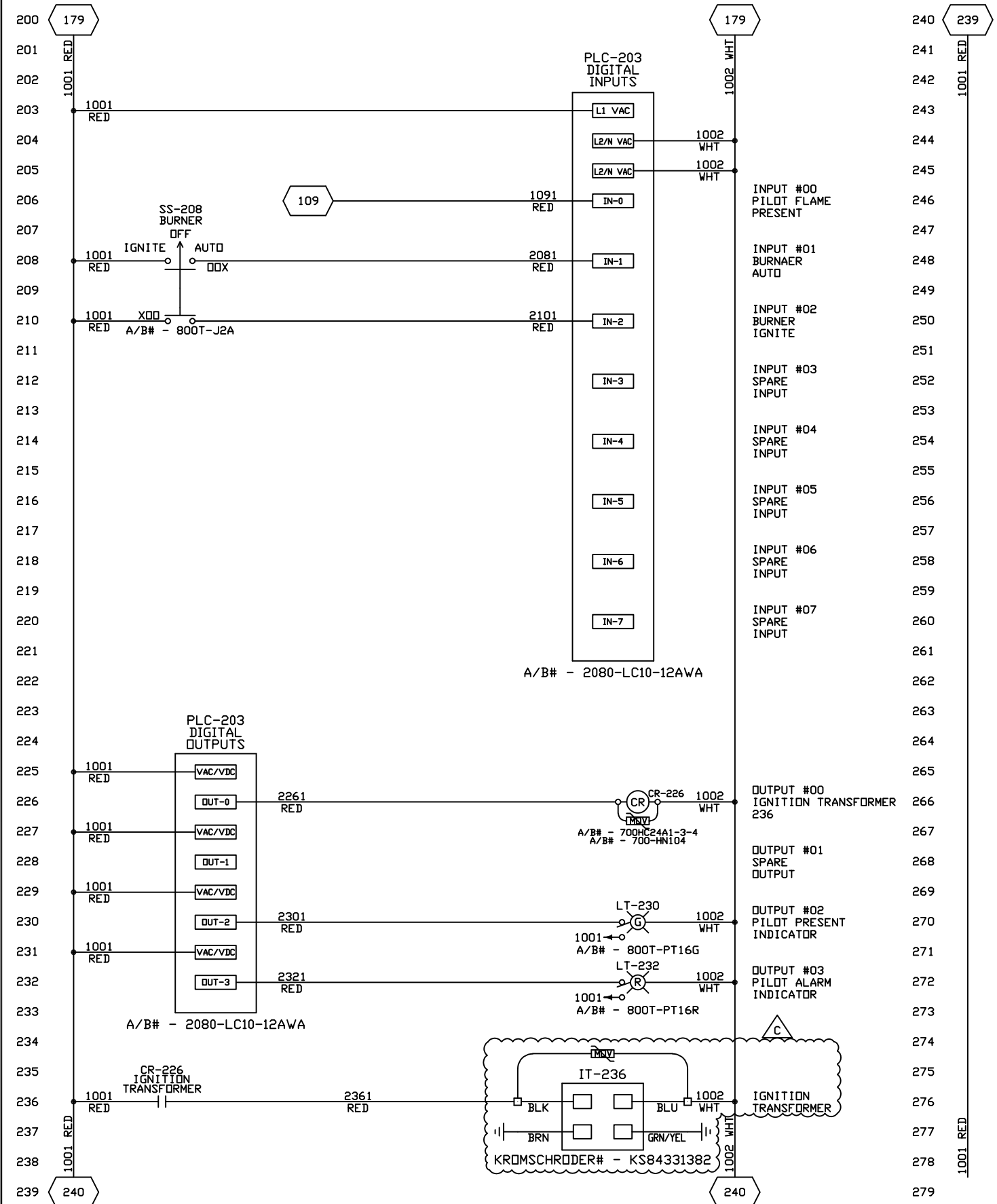
C	ECC - 00519	GDG	18 JAN 2021	DWM
REV.	DESCRIPTION	DRAWN	DATE	APPROVED
SERIES PM-1000 PILOT MONITORING SYSTEM BASIC WIRING DIAGRAM				
APPROVALS	DATE	DWG. NO.	REV. C	
DRAWN GDG	11 NOV 2011	13600		
CHECKED CD	17 JAN 2012	STANDARD SYSTEMS\13600\		
ISSUED	17 JAN 2012	SCALE	1:1	SHEET 01 OF 05

UNLESS OTHERWISE SPECIFIED
 DIMENSIONS ARE IN INCHES
 TOLERANCES ARE:
 FRACTIONS ±1/64"
 DECIMALS X.X=±0.100
 X.XX=±0.010
 X.XXX=±0.001
 ANGLES ±0.5°

NOTICE: THIS DRAWING AND THE INFORMATION HEREIN IS OWNED BY SUPER SYSTEMS, INC. (SSI). SSI RESERVES ALL RIGHTS INCLUDING TITLE, COPYRIGHT, PATENT RIGHTS AND THE RIGHT OF POSSESSION IN THE DRAWING AND ITS CONTENTS, EXCEPT AS AUTHORIZED BY SSI IN WRITING. ANY DISCLOSURE, REPRODUCTION, OR USE OF THIS DRAWING OR THE INFORMATION AND SPECIFICATIONS HEREIN IS STRICTLY PROHIBITED.



□ OR □
DENOTES TERMINAL BLOCK



INTENTIONALLY
BLANK

PRODUCTION DRAWING(S)
USE THIS DRAWING FOR CONSTRUCTION.

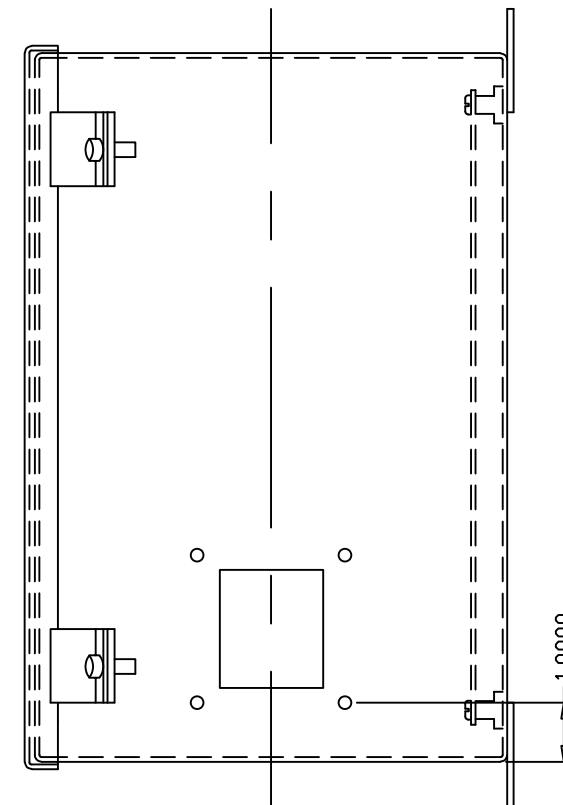
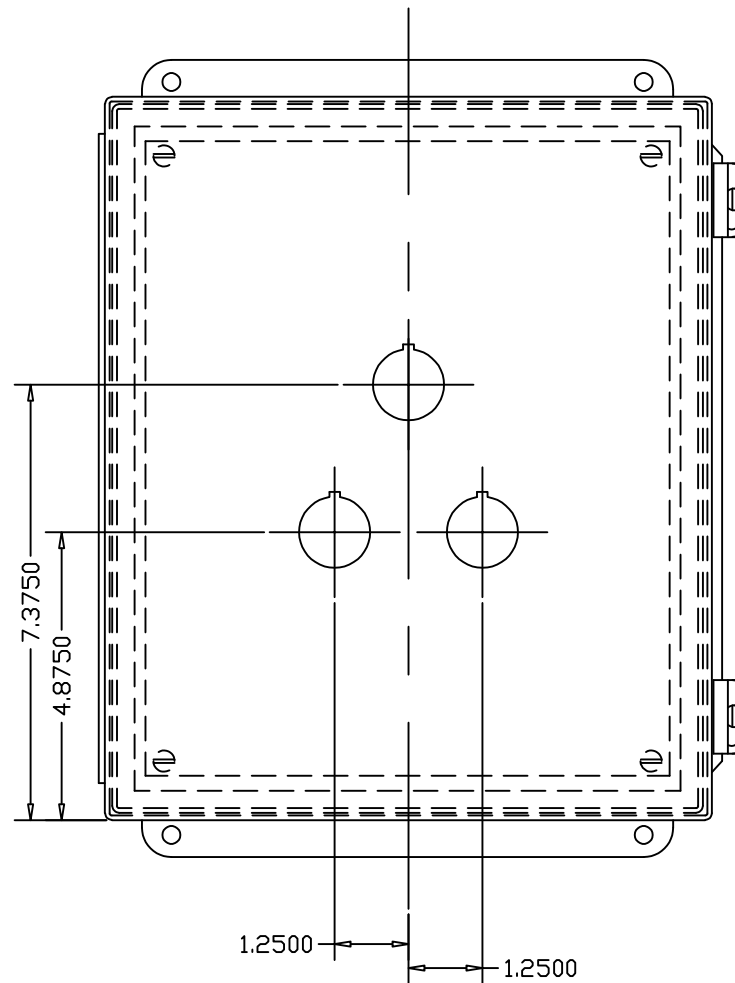
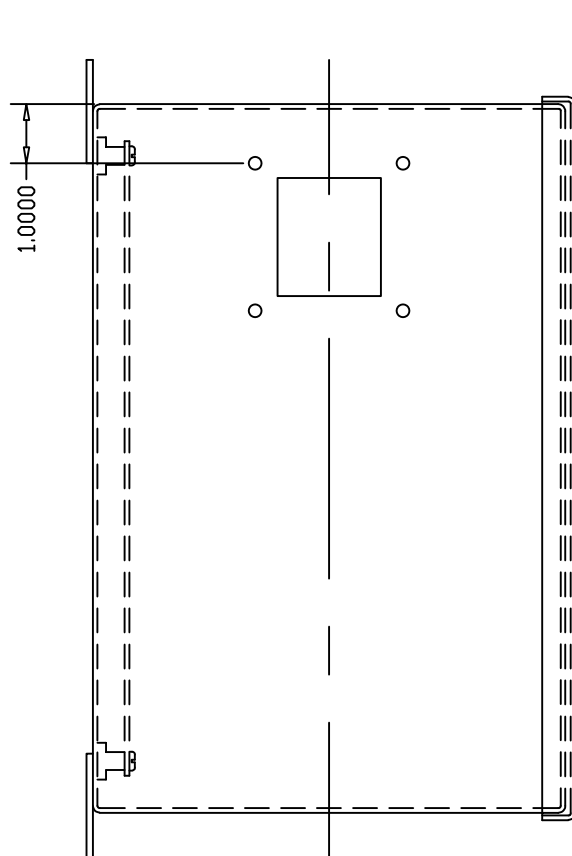
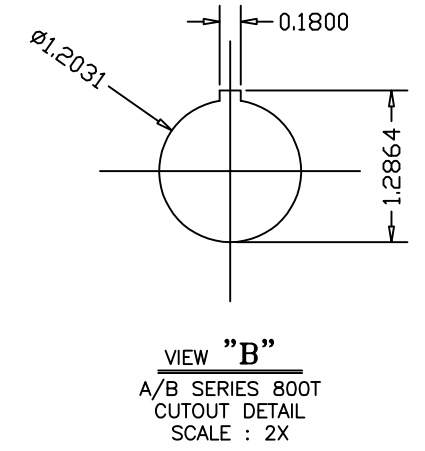
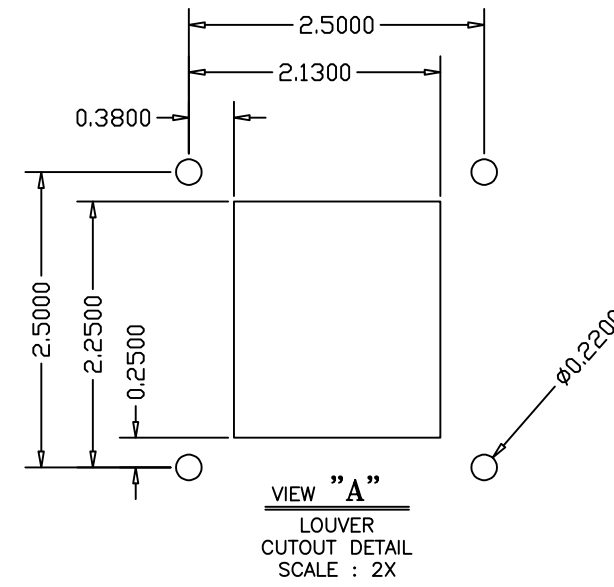
C	ECD - 00519	GDG	18 JAN 2021	DWM
REV.	DESCRIPTION	DRAWN	DATE	APPROVED
SERIES PM-1000 PILOT MONITORING SYSTEM BASIC WIRING DIAGRAM				
APPROVALS	DATE	DWG. NO.	REV. C	
DRAWN GDG	11 NOV 2011	13600		
CHECKED CD	17 JAN 2012	STANDARD SYSTEMS\13600\		
ISSUED	17 JAN 2012	SCALE	1:1	SHEET 02 OF 05

UNLESS OTHERWISE SPECIFIED DIMENSIONS ARE IN INCHES		
FRACTIONS	DECIMALS	ANGLES
±1/64"	X.X=±0.100	±0.5°
	X.XX=±0.010	
	X.XXX=±0.001	

NOTICE: THIS DRAWING AND THE INFORMATION HEREIN IS OWNED BY SUPER SYSTEMS, INC. (SSI). SSI RESERVES ALL RIGHTS INCLUDING TITLE, COPYRIGHT, PATENT RIGHTS AND THE RIGHT OF POSSESSION IN THE DRAWING AND ITS CONTENTS, EXCEPT AS AUTHORIZED BY SSI IN WRITING. ANY DISCLOSURE, REPRODUCTION, OR USE OF THIS DRAWING OR THE INFORMATION AND SPECIFICATIONS HEREIN IS STRICTLY PROHIBITED.



ENCLOSURE PAINT SPEC : RAL 5005 SIGNAL BLUE.



PRODUCTION DRAWING(S)
USE THIS DRAWING FOR CONSTRUCTION.

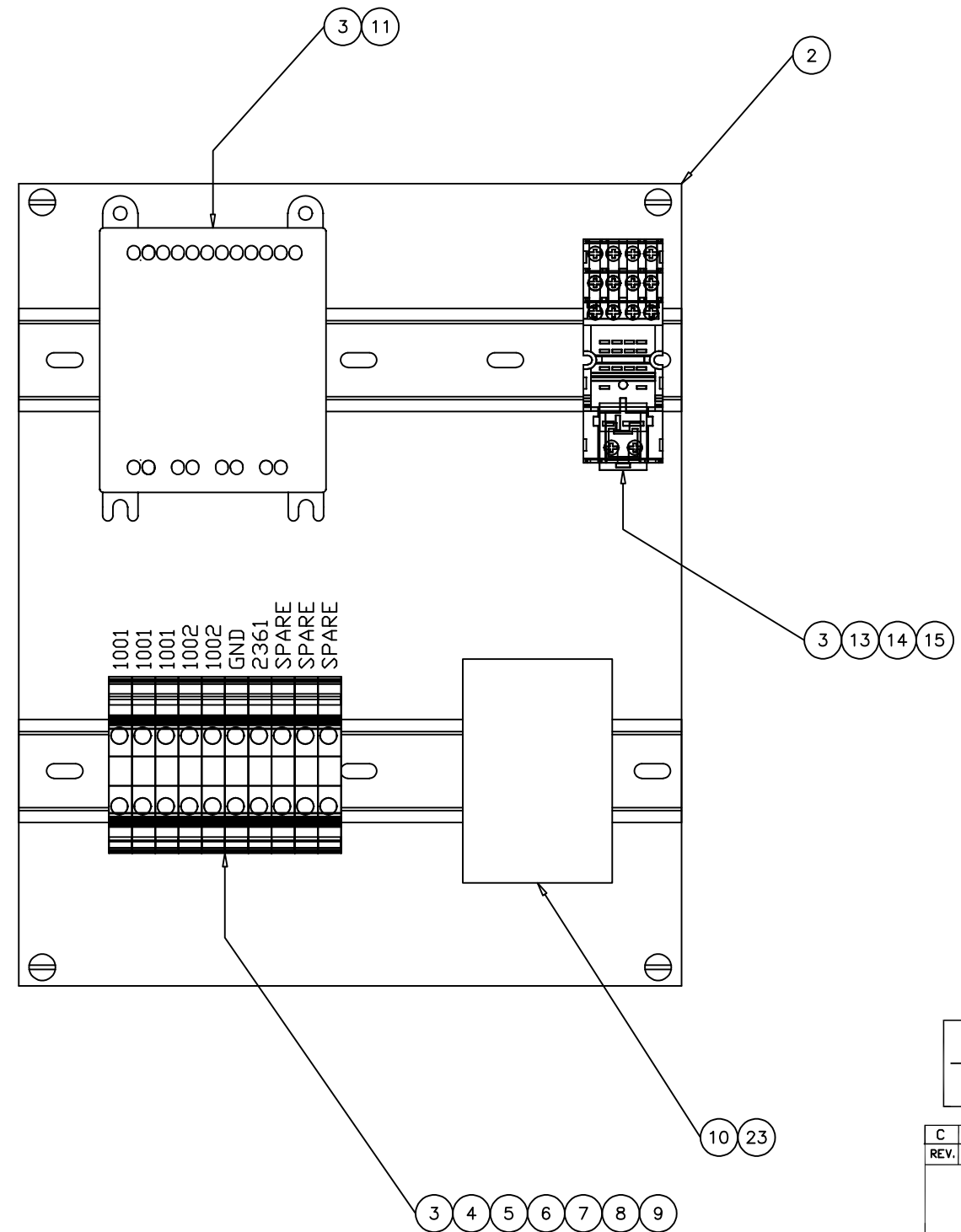
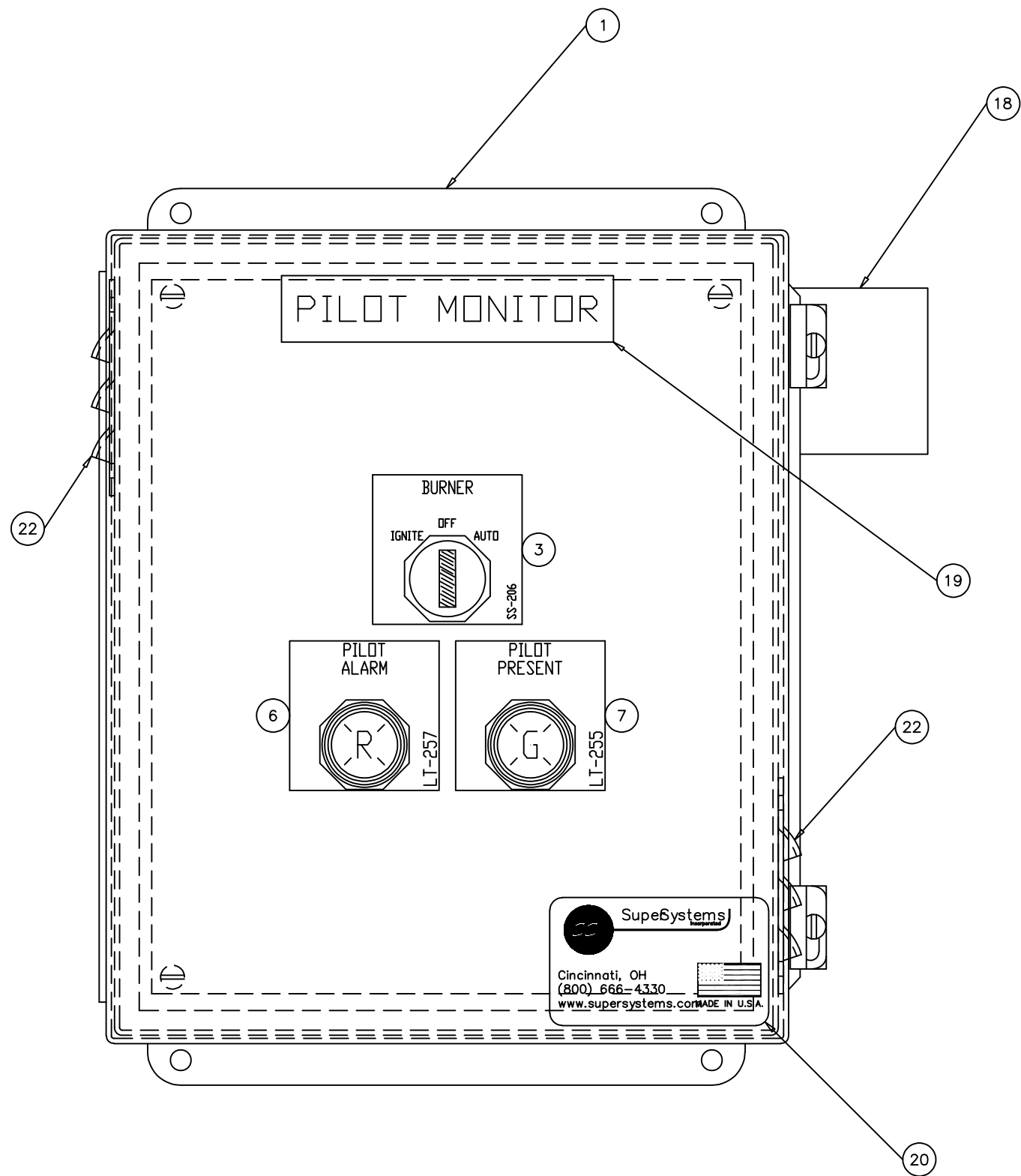
C	ECO - 00519	GDG	18 JAN 2021	DWM
REV.	DESCRIPTION	DRAWN	DATE	APPROVED
SERIES PM-100 PILOT MONITORING SYSTEM BASIC WIRING DIAGRAM				
APPROVALS	DATE	DWG. NO.	REV. C	
DRAWN GDG	11 NOV 2011	13600		
CHECKED CD	17 JAN 2012	\STANDARD SYSTEMS\13600\		
ISSUED	17 JAN 2012	SCALE	1: 1.5	SHEET 03 OF 05

UNLESS OTHERWISE SPECIFIED
DIMENSIONS ARE IN INCHES
TOLERANCES ARE:
FRACTIONS DECIMALS ANGLES
±1/64" X.X=±0.100 ±0.5°
X.XX=±0.010
X.XXX=±0.001

NOTICE: THIS DRAWING AND THE INFORMATION HEREIN IS OWNED
BY SUPER SYSTEMS, INC. (SSI). SSI RESERVES ALL RIGHTS
INCLUDING TITLE, COPYRIGHT, PATENT RIGHTS AND THE RIGHT OF
POSSESSION IN THE DRAWING AND ITS CONTENTS, EXCEPT AS
AUTHORIZED BY SSI IN WRITING. ANY DISCLOSURE, REPRODUCTION,
OR USE OF THIS DRAWING OR THE INFORMATION AND
SPECIFICATIONS HEREIN IS STRICTLY PROHIBITED.



LOCATE ITEM 21 ON THE INSIDE TOP OF THE ENCLOSURE DOOR.



PRODUCTION DRAWING(S)
USE THIS DRAWING FOR CONSTRUCTION.

C	ECD - 00519	GDG	18 JAN 2021	DWM
REV.	DESCRIPTION	DRAWN	DATE	APPROVED
SERIES PM-1000 PILOT MONITORING SYSTEM BASIC MECHANICAL DIAGRAM				
APPROVALS	DATE	DWG. NO.	REV. C	
DRAWN GDG	11 NOV 2011	13600		
CHECKED CD	17 JAN 2012	\\STANDARD SYSTEMS\13600\		
ISSUED	17 JAN 2012	SCALE	1:1	SHEET 04 OF 05

UNLESS OTHERWISE SPECIFIED
DIMENSIONS ARE IN INCHES
TOLERANCES ARE:
FRACTIONS ±1/64"
DECIMALS X.X=±0.100
X.XX=±0.010
X.XXX=±0.001

NOTICE: THIS DRAWING AND THE INFORMATION HEREIN IS OWNED BY SUPER SYSTEMS, INC. (SSI). SSI RESERVES ALL RIGHTS INCLUDING TITLE, COPYRIGHT, PATENT RIGHTS AND THE RIGHT OF POSSESSION IN THE DRAWING AND ITS CONTENTS, EXCEPT AS AUTHORIZED BY SSI IN WRITING. ANY DISCLOSURE, REPRODUCTION, OR USE OF THIS DRAWING OR THE INFORMATION AND SPECIFICATIONS HEREIN IS STRICTLY PROHIBITED.



BILL OF MATERIALS

ITEM	MFG	ITEM DESCRIPTION	MFG PART No.	SSI PART No.	QTY.
1	HOFFMAN	ENCLOSURE, 12.0' X 10.0' X 8.0'	A12108CH		1
2	HOFFMAN	SUB-PANEL FOR ENCLOSURE A12108CH	A12P10		1
3	A/B	DIN RAIL, TERMINAL BLOCK	1492-DR5		AS REQD
4	A/B	TERMINAL BLOCK, 1 POSITION, 1 TIER	1492-J6		10
5	A/B	END BARRIER, 1 TIER TERMINAL BLOCK	1492-EBJ3		1
6	A/B	PARTITION PLATE, 1 TIER TERMINAL BLOCK	1492-EBJ16		AS RERQD
7	A/B	CENTER JUMPER, 1 TIER TERMINAL BLOCK	1492-CJJ8-10		AS REQD
8	A/B	MARKER CARD, 1 TIER TERMINAL BLOCK	1492-M8X5		AS REQD
9	A/B	END ANCHOR, 1 TIER TERMINAL BLOCK	1492-EAJ35		2
* 10	FIREYE	RELAY, FLAME PILOT	MBPF-100S	32128	1
* 11	A/B	PLC, MICRO 810	2080-LC10-12AWA	31338	1
12	A/B	SELECTOR SWITCH, NON-ILLUMINATED, 3 POS	800T-J2A		1
13	A/B	RELAY, 4 POLE WITH INDICATOR	700HC-24A1-3-4		1
14	A/B	BASE, 4 POLE RELAY	700-HN104		1
15	DIGIKEY	SURGE SUPPRESSOR, 20 JOULES	P7229-ND		2
16	A/B	LIGHT, PILOT, GREEN, PUSH TO TEST, GREEN	800T-PT16G		1
17	A/B	LIGHT, PILOT, GREEN, PUSH TO TEST, RED	800T-PT16R		1
* 18	KROMSCHR	TRANSFORMER, IGNITION, TZ15-15/20R	KS84331382	32256	1 ^c
19	PNL SHOP	TAG, PILOT MONITOR, 1' X 5'			1
* 20	SSI	TAG, SSI LOGO, COLOR		20647	1
* 21	SSI	TAG, SSI INFORMATION		20393	1
22	HOFFMAN	LOUVER KIT, ENCLOSURE	AVK23		2
23	A/B	BASE, FLAME RELAY	700-HN126		1
24					
25					
¹ * 26	KROMSCHR	BURNER, PILOT, ZA1	84228020	32077	1
¹ * 27	KROMSCHR	TUBE, PROTECTION, ZA1	75437010	32078	1

* - SSI SUPPLIED

¹ THESE ITEMS ARE TO BE PULLED AND SENT TO THE END USER AFTER THE ENCLOSURE IS TESTED.

PRODUCTION DRAWING(S)

USE THIS DRAWING FOR CONSTRUCTION.

C	ECD - 00519	GDG	18 JAN 2021	DWM
REV.	DESCRIPTION	DRAWN	DATE	APPROVED
SERIES PM-1000 PILOT MONITORING SYSTEM BASIC MECHANICAL DIAGRAM				
APPROVALS	DATE	DWG. NO.	REV. C	
DRAWN GDG	11 NOV 2011	13600		
CHECKED CD	17 JAN 2012	\\STANDARD SYSTEMS\13600\		
ISSUED	17 JAN 2012	SCALE	1:1	SHEET 05 OF 05

UNLESS OTHERWISE SPECIFIED
DIMENSIONS ARE IN INCHES
TOLERANCES ARE:
FRACTIONS ±1/64"
DECIMALS X.X=±0.100
X.XX=±0.010
X.XXX=±0.001
ANGLES ±0.5°

NOTICE: THIS DRAWING AND THE INFORMATION HEREIN IS OWNED BY SUPER SYSTEMS, INC. (SSI). SSI RESERVES ALL RIGHTS INCLUDING TITLE, COPYRIGHT, PATENT RIGHTS AND THE RIGHT OF POSSESSION IN THE DRAWING AND ITS CONTENTS, EXCEPT AS AUTHORIZED BY SSI IN WRITING ANY DISCLOSURE, REPRODUCTION, OR USE OF THIS DRAWING OR THE INFORMATION AND SPECIFICATIONS HEREIN IS STRICTLY PROHIBITED.

