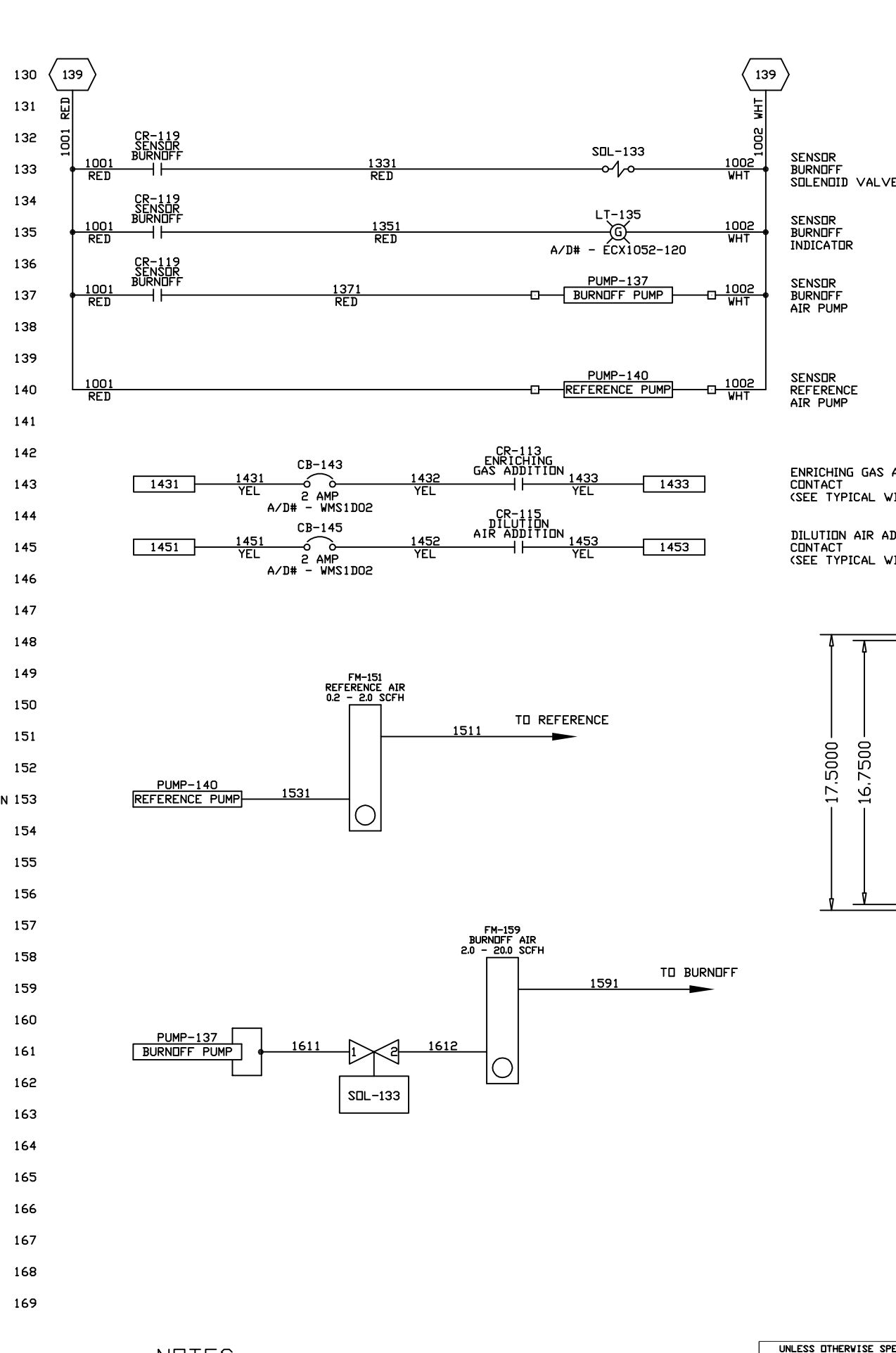


TYPICAL WIRING FOR ENRICHING GAS / DILUTION AIR ADDITION

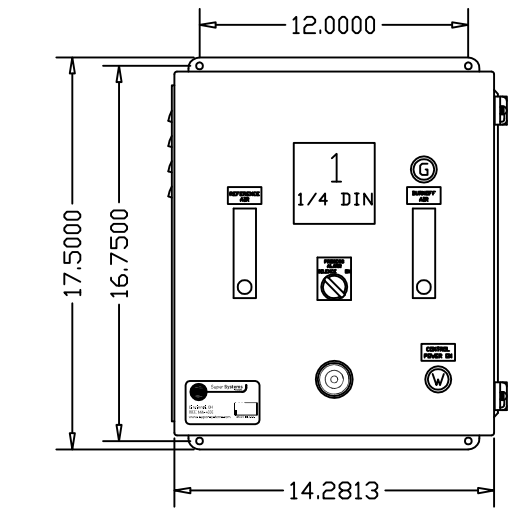


NOTES:

1. TERMINALS FOR BOTH PUMPS TO BE LOCATED ON SEPARATE DIN RAIL.
2. ALL WIRES CONNECTED TO TERMINALS 'L' AND 'N' TO HAVE AT LEAST 3' OF SLACK.

OR DENOTES TERMINAL BLOCK

ENCLOSURE SPECIFICATIONS	
INPUT VOLTAGE	120 VAC
MAXIMUM CURRENT	0.6 AMPS
ENCLOSURE WEIGHT	39.2 LBS / 17.8 KG



AS BUILT DRAWING(S)
THIS DRAWING REFLECTS THE AS BUILT AND SHIPPED STATUS OF THIS EQUIPMENT.

REV.	DESCRIPTION	DRAWN	DATE	APPROVED
R	ECO-00322	MKF	6/6/2011	GDG

MOD 1500, AC20 CONTROL / BURNOFF, BATCH FCE
BASIC WIRING / PLUMBING DIAGRAM

APPROVALS	DATE	DWG. NO.	REV.
GDG	06-16-2000	13050	R

CHECKED: STANDARD SYSTEMS\13050\
ISSUED: SCALE 1:1 SHEET 1 OF 5

FRACTIONS	DECIMALS	ANGLES
±1/64"	X.X=±0.100	±0.5°
	X.XX=±0.010	
	X.XXX=±0.001	

NOTICE: THIS DRAWING AND THE INFORMATION HEREIN IS OWNED BY SUPER SYSTEMS, INC. ("SSI"). SSI RESERVES ALL RIGHTS INCLUDING TITLE, COPYRIGHT, PATENT RIGHTS AND THE RIGHT OF POSSESSION IN THE DRAWING AND ITS CONTENTS. EXCEPT AS AUTHORIZED BY SSI IN WRITING, ANY DISCLOSURE, REPRODUCTION, OR USE OF THIS DRAWING OR THE INFORMATION AND SPECIFICATIONS HEREIN IS STRICTLY PROHIBITED.

