



SuperSystems
incorporated

HP2000

with 9100 Controller

Self-Heated Oxygen Measurement System

Operations Manual

Please read, understand, and follow these instructions before operating this equipment.
Super Systems, Inc. is not responsible for damages incurred due to a failure to comply with these instructions. If at any time there are questions regarding the proper use of this analyzer, please contact us at 513-772-0060 for assistance.

Super Systems Inc.

USA Office

Corporate Headquarters:

7205 Edington Drive

Shipping Address:

7245 Edington Drive

Cincinnati, OH 45249

Phone: (513) 772-0060

<http://www.supersystems.com>

Super Systems Europe

Unit E, Tyburn Trading Estate,
Ashold Farm Road, Birmingham

B24 9QG

UNITED KINGDOM

Phone: +44 (0) 121 306 5180

<http://www.supersystemseurope.com>

Super Systems México

Sistemas Superiores Integrales S de RL de CV

Acceso IV No. 31 Int. H Parque Industrial

Benito Juarez

C.P. 76120 Queretaro, Qro.

Phone: +52 442 210 2459

<http://www.supersystems.com.mx>

Super Systems China

No. 369 XianXia Road

Room 703

Shanghai, CHINA

200336

Phone: +86 21 5206 5701/2

<http://www.supersystems.cn>

Super Systems India Pvt. Ltd.

A-26 Mezzanine Floor, FIEE Complex,

Okhla Indl. Area, Phase - 2

New Delhi, India 110 020

Phone: +91 11 41050097

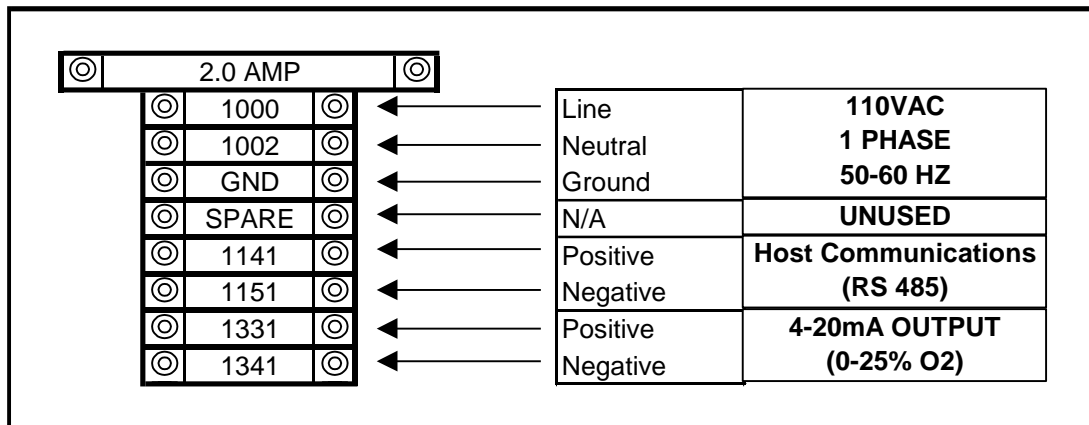
<http://www.supersystemsindia.com>

Table of Contents

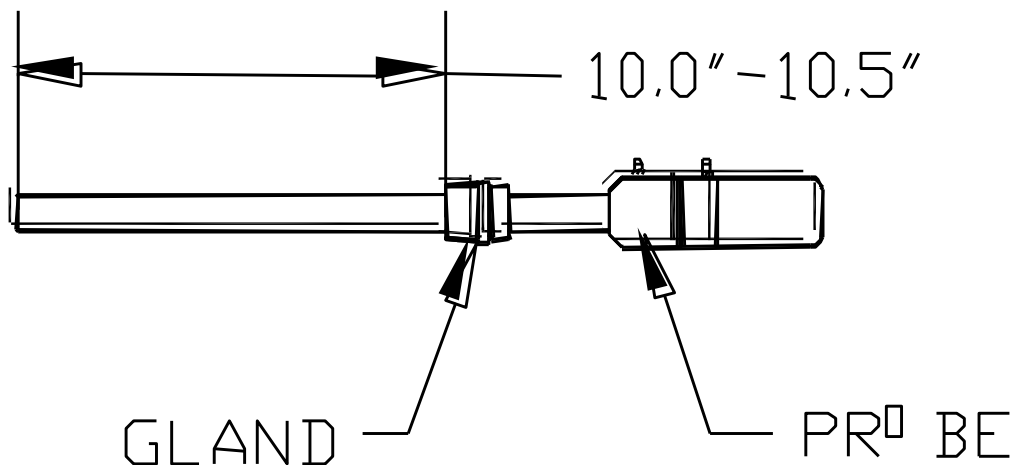
Electrical Connections	4
Plumbing Connections	5
Operation.....	5
Entering Values Through the Keypad.....	6
Menu List.....	6
Screen 1: Oxygen (in %), Probe mV and Probe Temperature.....	7
Screen 2: Oxygen (in ppm), Probe mV and Probe Temperature.....	7
Screen 3: Temperature Set Point.....	7
Screen 4: Alarm Set Point	8
Screen 5: Temperature Mode	8
Screen 6: IP Address.....	9
Screen 7: Output 1 Exponent.....	9
Screen 8: Output 2 Exponent.....	10
Screen 9: Output 1 Full Scale.....	10
Screen 10: Output 2 Full Scale	10
Screen 11: Information Screen #1	11
Screen 12: Information Screen #2	11
Spare Parts List	12
Power Requirements	12
Revision History	12

Electrical Connections

Remove the screw cover on the electrical enclosure box on the side of the main box. Route the green "S" Type thermocouple wire and the black and white sensor wire (for connection to the probe) through the access hole at the bottom of the box. Route the power wire (110VAC ONLY) in through the same hole, and connect it to the terminal block according to the diagram below. Tighten the wire clamp at the electrical access hole and replace the screw cover to the electrical enclosure box.



Insert the probe into the coupling at the base of the large box. It is important that the probe is inserted at the correct depth to allow proper heating and prevent damage to the ceramic well inside the unit. There should be between 10.0" and 10.5" between the bottom of the adjustable 1" NPT gland and the end of the probe (see sketch below).



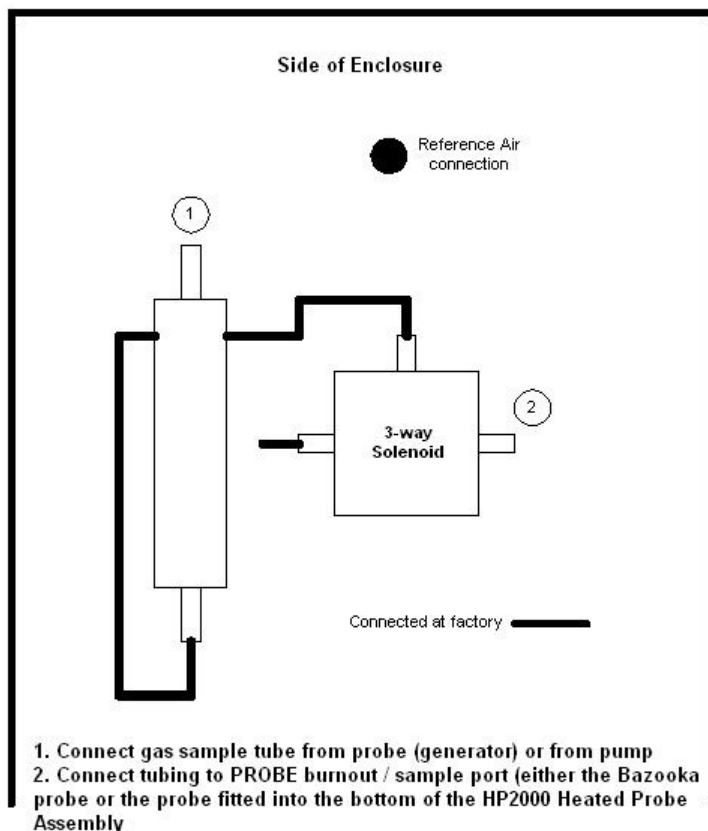
Once the probe has been inserted into the heater, make the necessary electrical connections at the head of the probe. The green thermocouple wire from the electrical enclosure box should be attached to the thermocouple connection at the head of the probe (Positive (+) = Black and Negative (-) = Red). The sensor wire should also be attached to the probe (Positive (+) = Black and Negative (-) = White).

This unit has been pre-configured and tested prior to shipment. To maximize the accuracy and longevity of the HP2000, it is recommended that the unit be operated at 1500°F. This set point has pre-configured in the settings that have already been entered into the controller prior to shipment.

Plumbing Connections

The sample gas can be transported from the sample port on the furnace (SSi P/N 20263) to the top of the external filter (shown below) using silicone tubing. The sample flow should be 4.0 to 5.0 SCFH. The sample line should be routed to the Reference Air / Burnoff Air System (or Model 1500) to maintain its integrity and prevent contamination:

1. Furnace / Sample Port → Filter Inlet
2. Flow Meter Outlet → Probe Burnoff Port
3. HP2000 Vent (Coupling on HP2000) → Vent



In addition to the sample gas, ambient air must also be supplied to the probe. This should be attached at the fitting labeled "Ref. Air", and the flow rate should be between 1.0 and 2.0 SCFH.

Operation

The single-line LCD display will allow the user to view temperature and the millivolts that are being measured from the probe, and also the amount of

Oxygen in the sample. The amount of oxygen can either be expressed as a percentage or in exponential notation. It is also possible to make adjustments to the settings from this display.

There are six buttons on the display; NEXT, PREV, Left Arrow (←), Up Arrow (↑), CLR, and ENT. **NEXT** and **PREV** will move through the various screens, and the other buttons are used to make changes to the settings.

Entering Values Through the Keypad

Only numeric values may be entered into the HP2000 display. The up arrow will cycle through the numbers starting with zero. Pressing the left arrow key will move to the next number. Numbers are entered from left to right. For example, to enter the number 123, the user would begin with the display showing 0. The user would press the up arrow key once so that a 1 would be displayed. Pressing the left arrow key once will display a 10. Pressing the up arrow key twice would display 12. Press the left arrow key once to display a 120, and press the up arrow key three times to display 123.

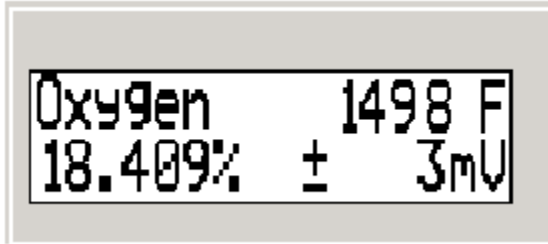
Menu List

Note: Screens 1, 2, 11, and 12 are for display purposes only. No values can be entered on these screens.

1. Oxygen (in %), Probe mV and Probe Temperature
2. Oxygen (in ppm), Probe mV and Probe Temperature
3. Temperature Set Point
4. Alarm Set Point
5. Temperature Mode
6. IP Address
7. Output 1 Exponent
8. Output 2 Exponent
9. Output 1 Full Scale
10. Output 2 Full Scale
11. Information Screen #1
12. Information Screen #2

If there are any questions regarding the operation or setup of this unit, please contact Super Systems Inc at 1-513-772-0060 for assistance.

Screen 1: Oxygen (in %), Probe mV and Probe Temperature



This screen is the default screen for the HP2000. This screen lists the percentage of oxygen on the left of the screen, the probe temperature (in Fahrenheit or Celsius, depending on the configuration) on the top right of the screen, and the probe millivolts on the bottom right of the screen. The values on this screen cannot be modified by the user. Pressing the **Next** button will display the next screen, *Oxygen (in ppm), Probe mV and Probe Temperature*. Pressing the **Prev** button will display the previous screen, *Information Screen #2*.

Screen 2: Oxygen (in ppm), Probe mV and Probe Temperature



This screen will display the oxygen in parts per million on the left of the screen, the probe temperature (in Fahrenheit or Celsius, depending on the configuration) on the top right of the screen, and the probe millivolts on the bottom right of the screen. The values on this screen cannot be modified by the user. Pressing the **Next** button will display the next screen, *Temperature Set Point*. Pressing the **Prev** button will display the previous screen, *Oxygen (in %), Probe mV and Probe Temperature*. Pressing the **CLR** button at any time will return the user to the first screen.

Screen 3: Temperature Set Point



This screen will display the temperature set point for the HP2000, and it will allow the user to modify the temperature set point for the HP2000. The HP2000 is pre-configured prior to shipment with a temperature set point of 1500°F. *Note: To maximize the accuracy and longevity of the HP2000, it is recommended that the unit be operated at 1500°F.* To change the temperature set point, press the up

arrow key, ↑. The rightmost character will begin blinking. Pressing the up arrow key again or pressing the left arrow key, ←, will reset the set point to zero. Pressing the up arrow key again will increment the number by 1. Example – The following example will show how to set the temperature set point to 1500. Press the up arrow key once so that the number **1** is displayed. Press the left arrow key once. The number **10** will now be displayed with the rightmost number blinking. Press the up arrow key five times so that the number **15** is displayed. Press the left arrow key twice so that the number **1500** is displayed. Press the **ENT** button to set the set point. Pressing the **CLR** button at any time will return the user to the first screen without entering any changes. Pressing the **Next** button will display the next screen, *Alarm Set Point*. Pressing the **Prev** button will display the previous screen, *Oxygen (in ppm), Probe mV and Probe Temperature*.

Screen 4: Alarm Set Point



This screen will display the alarm set point and it will allow the user to modify the alarm setpoint. The alarm setpoint will act as an overtemp alarm, and if this value is reached, the HP2000 will decrease the amount of heat being generated to a point below the alarm setpoint. Example – The following example will change the alarm set point to 1700. Press the up arrow key once so that the rightmost digit is blinking. Press the up arrow key once so that a **1** is displayed. Press the left arrow key once so that a **10** is displayed. Press the up arrow key seven times so that a **17** is displayed. Press the left arrow key twice so that a **1700** is displayed. Press the **ENT** key to set the changes. Pressing the **NEXT** key will display the next screen, *Temperature Mode*. Pressing the **PREV** key will display the previous screen, *Temperature Set Point*.

Screen 5: Temperature Mode



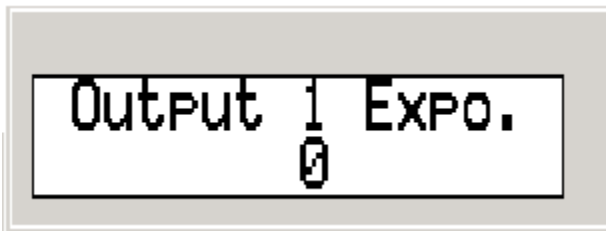
This screen will display the temperature mode and it will also allow the user to change the temperature mode. The temperature mode can be either Fahrenheit or Celsius. Pressing the up arrow key will toggle between Fahrenheit and Celsius. *Note: The user does not need to press the ENT button; the change in temperature mode will take effect immediately. The change in temperature mode does not convert the temperature set point or the alarm set point. These factors will need to be converted manually once the change has been made.* Pressing the **CLR** button will return the user to the first screen. Pressing the **NEXT** key will display the next screen, *IP Address*. Pressing the **PREV** key will display the previous screen, *Alarm Set Point*.

Screen 6: IP Address



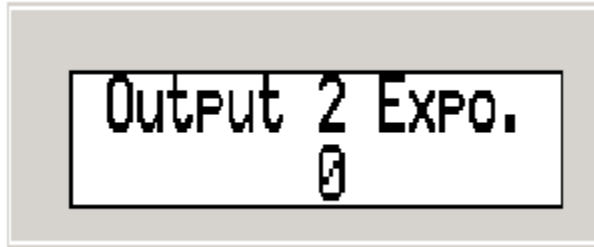
This screen will display the IP address and it will also allow the user to modify the IP address. Press the **ENT** key to begin changing the IP address. Once the user has pressed the **ENT** key, the rightmost digit of the first three digits of the address will begin to blink. *Note: Pressing the **ENT** key will highlight the rightmost most digit of each section of the IP address.* Pressing the **CLR** key will reset the number to zero. Holding down the **CLR** key will display the first screen to the user without saving any changes. Example – The following example will show how to set the IP address of the HP2000 to: 192.168.1.210. Press the **ENT** key. The rightmost digit of the first three digits should be blinking. Press the **CLR** key to reset the number to zero. Press the up arrow key once, so that a **1** is displayed. Press the left arrow key once. Now a **10** should be displayed. Press the up arrow key nine times so that a **19** is displayed. Press the left arrow key once so that a **190** is displayed. Press the up arrow key twice so that a **192** is displayed. Press the **ENT** key so that the rightmost digit of the next set of three digits is blinking. Repeat these steps to enter the rest of the IP address. Once the last section of the IP address has been entered. Press the **ENT** key to save the changes. *Note: None of the digits should be blinking at this point.* Pressing the **NEXT** key will display the next screen, *Output 1 Exponent*. Pressing the **PREV** key will display the previous screen, *Temperature Mode*.

Screen 7: Output 1 Exponent



The Output 1 Exponent provides greater detail for the output. The valid range of values is zero to ten. To change the value, press the up arrow key once so that the number begins blinking. Pressing the up arrow again will increment the value. Once the desired value has been entered, press the **ENT** key to set the value. If a value over ten is entered, the value will revert to the previous value set. Pressing the **NEXT** key will display the next screen, *Output 2 Exponent*. Pressing the **PREV** key will display the previous screen, *IP Address*.

Screen 8: Output 2 Exponent



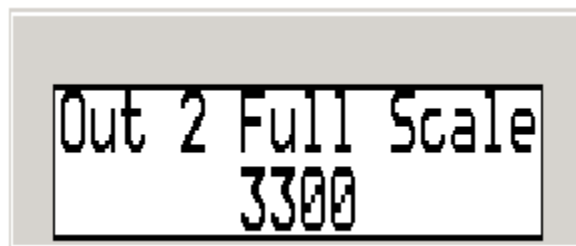
The Output 2 Exponent provides greater detail for the output. The valid range of values is zero to ten. To change the value, press the up arrow key once so that the number begins blinking. Pressing the up arrow again will increment the value. Once the desired value has been entered, press the **ENT** key to set the value. If a value over ten is entered, the value will revert to the previous value set. Pressing the **NEXT** key will display the next screen, *Output 1 Full Scale*. Pressing the **PREV** key will display the previous screen, *Output 1 Exponent*.

Screen 9: Output 1 Full Scale



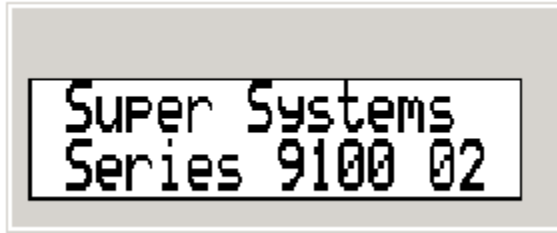
The valid range of values for output 1 full scale is zero to nine thousand nine hundred ninety nine. To change the value, press the up arrow key once so that the rightmost number begins to blink. Pressing the up arrow again will increment the value. Pressing the **NEXT** key will display the next screen, *Output 2 Full Scale*. Pressing the **PREV** key will display the previous screen, *Output 2 Exponent*.

Screen 10: Output 2 Full Scale



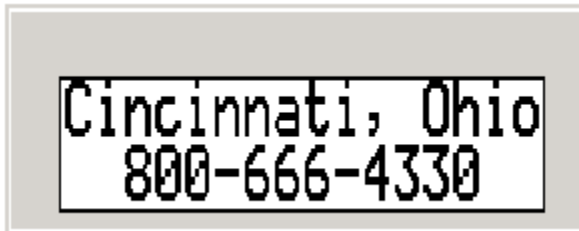
The valid range of values for output 2 full scale is zero to nine thousand nine hundred ninety nine. To change the value, press the up arrow key once so that the rightmost number begins to blink. Pressing the up arrow again will increment the value. Pressing the **NEXT** key will display the next screen, *Output 1 Full Scale*. Pressing the **PREV** key will display the previous screen, *Information Screen #1*.

Screen 11: Information Screen #1



This screen is an information screen displaying the Super Systems name as well as the type of controller with the HP2000. The values on this page cannot be modified. Pressing the **NEXT** key will display the next screen, *Information Screen #2*. Pressing the **PREV** key will display the previous screen, *Output 2 Full Scale*.

Screen 12: Information Screen #2



This screen is an information screen displaying Super Systems location and the phone number. The values on this page cannot be modified. Pressing the **NEXT** key will display the next screen, *Oxygen (in %), Probe mV and Probe Temperature*. Pressing the **PREV** key will display the previous screen, *Information Screen #1*.

Spare Parts List

- CeraGold Probe with "S" T/C Part Number 10138
- Sample Pump Part Number 37134
- 110VAC Heater Part Number 32074
- Large Bowl Filer Part Number 37050
- Filter Element for Bowl Filter Part Number 37051
- 0-2 SCFH Flow Meter Part Number 36013

Power Requirements

Max 434W at 120VAC, Max 4.5A

Revision History

Rev.	Description	Date
-	Initial Release	07/20/06
A	Added typical plumbing connections	12/15/2006
B	Added Power Requirements, updated formatting	